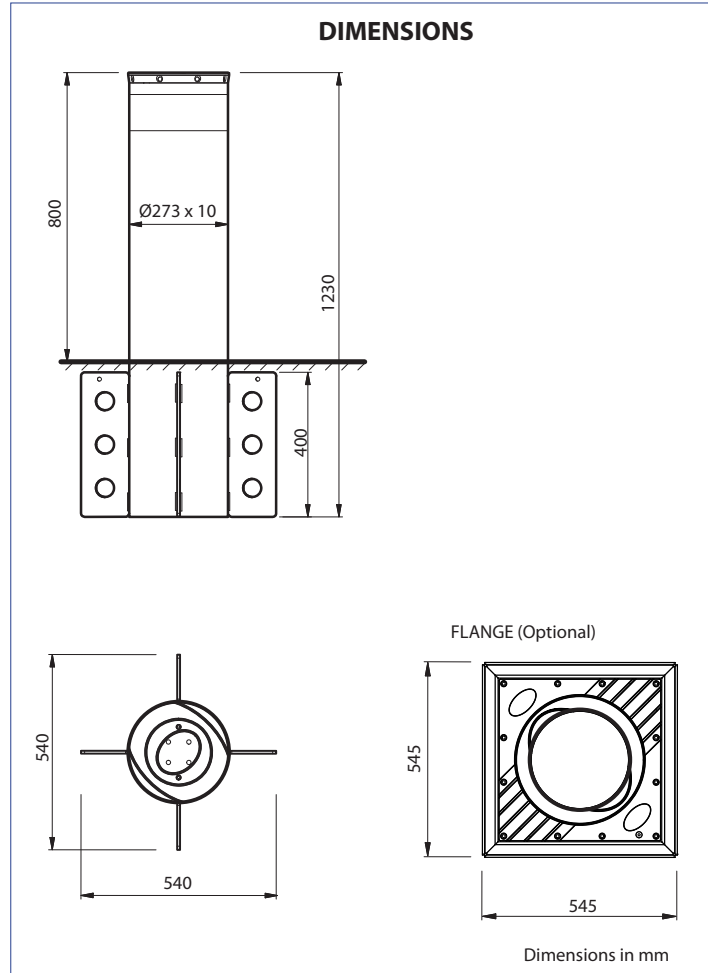
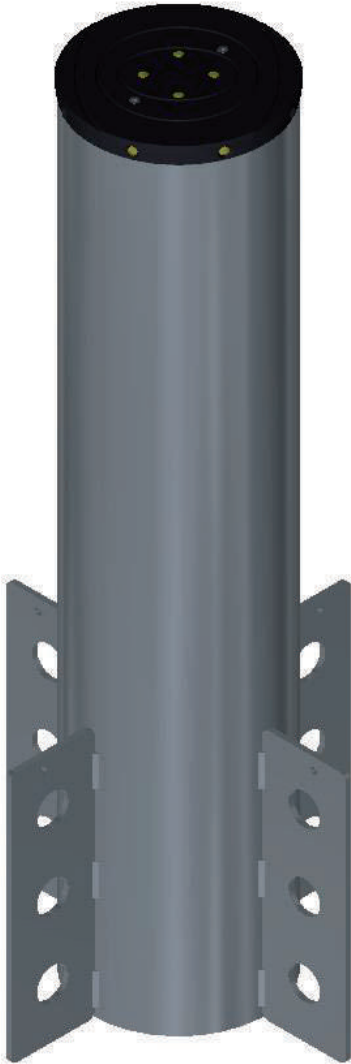


PRODUCT DATASHEET

OAK 800.4-F

Fixed high security bollard

For anti-terrorism applications. High security structure. Reference standards: ASTM2656:2007 M30 – PAS68:2010 7500/50/N2. Available with or without flange.



• High security fix bollard for anti-terrorism applications

- Main tube dimensions from floor level: **Ø273 x h. 800 x th.10 mm**
- Break-in resistance (from simulation): **800 000 J**
- Impact resistance (from simulation): **250 000 J**
- Available with or without flange
- Flange dimensions: **545 x 545 mm**
- LED provided light cap
- Main tube material: painted steel /stainless steel coating (optional)
- Customizable adhesive reflective H100 film (optional)

REFERENCE STANDARDS

Anti-terrorism (reference standards): PAS68:2010 7500/50/N2 - ASTM2656:2007 M30 (Replaces DoS/DoD K4)

2014/35/UE (EN 60335-1:2012; EN 60335-1/A11:2015; EN 60335-2-103:2015) Low voltage

2014/30/UE (EN 61000-6-3:2006; EN 61000-6-2:2005; EN 61000-6-3/A1:2013; EN 61000-3-2:2014; 61000-3-3:2013) Electromagnetic Compatibility

TECHNICAL-ENVIRONMENTAL MAIN FEATURES

Rod out of the ground	Ø273 x h.800 x th.10mm steel Fe 510 (S 335 JR) *
Buried structure	Ø273 x h.430 mm
Foundation	Reinforced concrete. Rebar (not supplied) dimensions: 1 400 x1 400 x h. 750 mm
Break-in resistance (from simulation)	800 000 J
Impact resistance (from simulation)	250 000 J
Driven rod treatment	Cataphoresis and coating RAL7031 standard, other colour on request
Passive visibility	Reflective film **
Flange (optional)	Cast iron, cataphoresis black, 545 x 545 mm
Top cover	Cast iron, cataphoresis black, LED lights
Net weight, versione without flange	86 kg
Gross weight, versione without flange	97 kg
Net weight, versione with flange	109 kg
Gross weight, versione with flange	123 kg

* Option AISI316 coating

** Customizable (optional)

ELECTRICAL FEATURES

Light power supply	KIT PS 24Vac 24 Vac ±10%, 50-60 Hz
Power	Light cable 24 Vac ±10%, 50-60 Hz (up to 80 bollards)
Power consumption	1 W for each bollard
Signalling	On the top with high intensity LEDs

For system composition and installation refer to the regulations in force in the country where the system is being installed.

ITEM SPECIFICATION

Fixed bollard high security designed for anti-terrorism programs, suitable to protect sensible sites. High resistance structure. Reference standards: ASTM2656:2007 M30 – PAS68:2010 7500/50/N2. Suitable for integrating the use of automatic bollards. Main tube dimensions: Ø273xH800xth10 mm steel Fe 510 (S 335 JR). Cataphoresis surface finish and powder coating. Impact energy resistance (from simulation) 800 000 J. High reflective adhesive film. LED provided light cap (optional). Power supply 24Vac ± 10%, 50-60 Hz (up to 80 bollards). Power consumption 1W each bollard. Available with or without flange.



Monte Elbruz #132 Int 301/302
Col. Polanco V Sección, Del. Miguel Hidalgo, CP. 11560, CDMX
☎️ 📞: 55 5951 9070 | www.rseguridad.com
ventas@rseguridad.com

