

PRODUCT DATASHEET

AURA 30-I ULTRA

Entrance station for centralized parking systems

The Aura 30-I Ultra station is a device for managing an entry gate to a parking area. The unit works in a wired network as a component between the other elements of the system. The station performs the rapid issuing of barcode tickets, management of subscription and operator cards. The display and voice messages guide improve the user experience.

Key features

- Multilanguage voice messages for user guide.
- Long distance connection thanks to the RS485 interface.
- Simplified access to the internal components for maintenance operations.
- Dedicated electronic board with integrated display and onboard joystick for quick programming and consultation of alarms.
- Components modularity to adapt to every type of installation.

General information

- Fanfold ticket thermal printer.
- Capacity of 4000 fanfold tickets with easy loading.
- 125 kHz proximity RFID card reader for operators and subscriptions.
- 20 characters x 2 rows backlit LCD display for user and service information.
- Illuminated ticket nozzle.
- Multilanguage audio and display messages.
- Internal temperature regulated by forced ventilation and heating element.
- Programmable and highly sensitive two-channels loop detector.
- Automatic barrier management.
- Assistance call button.
- Long-lasting, illuminated, mechanical pushbutton for ticket request.
- RS485 interface.
- Guaranteed operation also during server offline periods.
- Working mode configurable by software, control board or operator cards.
- Alarms management with notification to the parking server.

Options

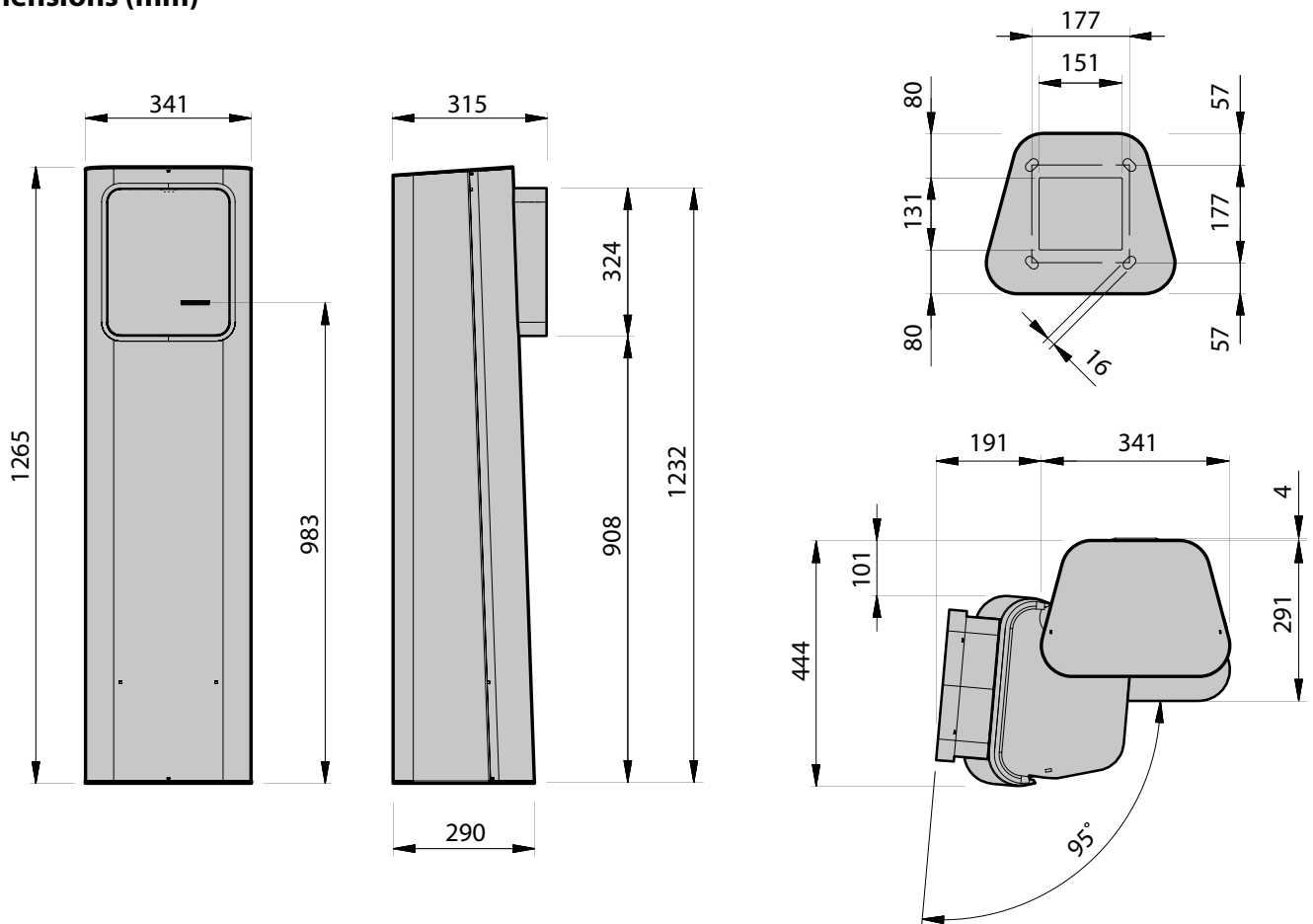
- 13.56 MHz proximity MIFARE card reader for operators and subscriptions (instead of 125 kHz RFID reader).
- Bus or IP intercom.
- Barcode scanner.
- Management of up to 3 fee rates, allowing issue of tickets.
- RS485 / LAN converter.
- Single lane, two ways gate management.
- Double-height terminals availability.
- Customizable cabinet colour.
- Long range UHF reader.



Technical data

| | |
|---|--|
| Power supply | 230 VAC ±10%, 50Hz-60Hz |
| Max power consumption | 200 W |
| Idle power consumption | 70 W |
| Operating temperature | -20...+50 °C (-4...+122 °F) |
| Dimensions | 1265 x 341 x 315 mm / 49.8 x 13.4 x 12.4 in (H x W x D) |
| Gross weight | 60 kg |
| Standard communication interface | RS485 |
| Standard colour | RAL7015 |
| Materials | Cabinet in 20/10 mm thick DD11 steel sheet; front panel in anti-wear and anti-scratch polycarbonate. |

Dimensions (mm)



Item specification

Entrance station for centralized parking systems, with: fanfold ticket thermal printer; capacity of 4000 fanfold tickets with easy loading; 125 kHz proximity RFID card reader for operators and subscriptions; 20 characters x 2 rows backlit LCD display for user and service information; illuminated ticket nozzle; multilanguage audio and display messages; programmable and highly sensitive two-channels loop detector; automatic barrier management; long-lasting, illuminated, mechanical pushbutton for ticket request; guaranteed operation also during server offline periods; working mode configurable by software, control board or operator cards; alarms management with notification to the parking server.

Power supply: 230 VAC ±10%, 50Hz-60Hz. Max power consumption: 200 W. Idle power consumption: 70 W. Operating temperature: -20...+50 °C (-4...+122 °F). Standard communication interface: RS485. Cabinet in 20/10 mm thick DD11 steel sheet; front panel in anti-wear and anti-scratch polycarbonate. Dimensions 1265 x 341 x 315 mm / 49.8 x 13.4 x 12.4 in (H x W x D).